

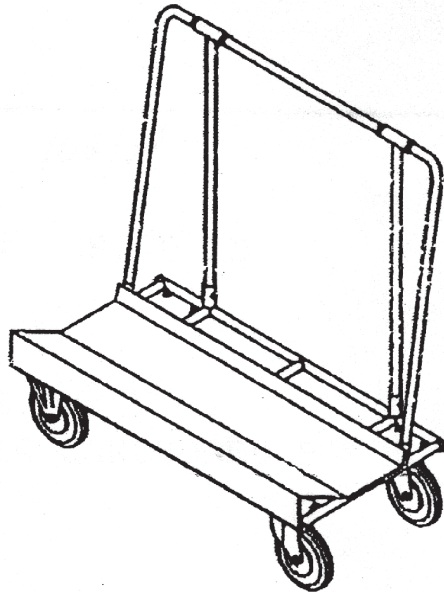
HAUL-MASTER



DRYWALL DOLLY 900 LB. CAPACITY

Model 94883

ASSEMBLY & OPERATING INSTRUCTIONS



Due to continuing improvement, actual product may differ slightly from the product described herein.



3491 Mission Oaks Blvd., Camarillo, CA 93011
Visit our Web Site at www.harborfreight.com

Copyright© 2006 by Harbor Freight Tools®. All rights reserved. No portion of this manual or any artwork contained herein may be reproduced in any shape or form without the express written consent of Harbor Freight Tools.

For technical questions and replacement parts please call 1-800-444-3353.

THANK YOU for choosing a **HARBOR FREIGHT TOOLS** product. For future reference, please complete the owner's record below:

Model _____ **Serial No.** _____ **Purchase Date** _____

SAVE THE RECEIPT, WARRANTY AND THESE INSTRUCTIONS. It is important that you read the entire manual to become familiar with the unit BEFORE you begin assembly.

Technical Specifications

Overall Deck Dimensions:	50" L X 15-1/2" Deep
Flat Area:	50" L X 8-1/4" Deep
Front Angle Area:	50" L X 8", 30° Angle
Deck Steel Gauge:	12 Gauge
Ground Clearance:	9-1/4" High
Maximum Weight Capacity:	900 Lbs.
Wheels:	8" diameter X 1.75" W, solid black rubber
Weight:	68.7 Lbs.



READ ALL INSTRUCTIONS BEFORE USING THIS PRODUCT!

Safety Warnings and Precautions

WARNING: When using product, basic safety precautions should always be followed to reduce the risk of personal injury and damage to equipment.

Read all instructions before using this product!

1. **Keep work area clean.** Cluttered areas invite injuries.
2. **Observe work area conditions.** Keep work area well lighted.
3. **Store idle equipment.** When not in use, the Drywall Dolly must be stored in a safe and clean location. Always lock up products and keep out of reach of children.
4. **Use the right product for the job.** There are certain applications for which the Drywall Dolly was designed. Do not modify the Dolly and do not use the Dolly for a purpose for which it was not intended.
5. **Check for damaged parts.** Before using any product, any part that appears damaged should be carefully checked to determine that it will operate properly and perform its intended function. Check for any broken or damaged parts and any other conditions that may affect its operation. Replace or repair damaged or worn parts immediately.
6. **Replacement parts and accessories.** When servicing, use only identical replacement parts. Use of any other parts will void the warranty.
7. **Do not operate product if under the influence of alcohol or drugs.** Read warning labels on prescriptions to determine if your judgment or reflexes are impaired while taking drugs. If there is any doubt, do not operate the product.
8. **Use eye protection.** Always wear ANSI-approved impact safety goggles when assembling and using this product.

9. **Do not exceed the product's maximum load capacity of 900 Lbs.** Always make sure the load is evenly distributed on the Dolly.
10. **Only use on a flat surface capable of supporting the Drywall Dolly and its maximum capacity load of 900 Lbs.** It is easy to lose control of the Drywall Dolly if attempting to pull a load on a sloping or uneven surface.
11. **Do not allow children to play on, stand upon or climb on the Drywall Dolly.** The Drywall Dolly is not for carrying people or animals.
12. **Always check hardware and parts after assembling.** All connections should be tight and hardware tightened.
13. **Always distribute objects in the Drywall Dolly evenly.** Uneven weight distribution could cause tipping. Harbor Freight Tools is not responsible for damage to persons or cargo.
14. **Be aware of dynamic loading!** Suddenly dropping or bouncing a load on the Drywall Dolly may create, for a brief instant, an excess load, which may result in damage to the product and/or personal injury.

Warning: The warnings, cautions, and instructions discussed in this instruction manual cannot cover all possible conditions and situations that may occur. It must be understood by the operator that common sense and caution are factors which cannot be built into this product, but must be supplied by the operator.

Unpacking

When unpacking your Drywall Dolly, check to make sure the following parts are included. If any parts are missing or broken, please call **HARBOR FREIGHT TOOLS** at **1-800-444-3353**.

Assembly

Your Drywall Dolly will require complete assembly. It is important that you read the entire manual to become familiar with the product BEFORE you assemble and use the Dolly. Before operating the Drywall Dolly, be sure that you have all parts described in the Parts List and Assembly Diagram page 5 of this manual.

1. Set the Caster Base (B) down on your work bench or work surface. Locate both 8" Swivel Casters (C). The 8" Swivel Casters (C) will be installed on the front (narrow) side of the Caster Base (B).
2. Set the 8" Swivel Casters (C) so the holes in the plate line up with the holes in the Caster Base (B). Insert four Bolts (1) up through the plate and Caster Base (B), slide on Washers (2), and thread on Locknuts (3)-see Assembly Diagram.
3. Install the 8" Rigid Casters (D) on the rear of the Caster Base (B). Set the 8" Rigid Casters (D) so the holes in the plate line up with the holes in the Caster Base (B). Insert four Bolts (1) up through the plate and Caster Base (B), slide on Washers (2), and thread on Locknuts (3)-see Assembly Diagram.
4. Set the ends of the down tubes on Handle (A) into the fittings on the Caster Base (B)-see Assembly Diagram. Insert one Bolt (4) through the down tube of the Handle (A) and through the fitting. Slide on Washers (5), and thread on Locknuts (6).

Operation

1. Place the load onto the Caster Base (B). Do not exceed the maximum weight capacity of 900 Lbs. Make certain the load is evenly distributed on the Drywall Dolly, and that it is resting adequately on the Handle (A).
2. Using two hands to grasp the Handle (A), move the Drywall Dolly with its load. Lead with the 8" Rigid Casters(D), so that you can control the direction and movement of the Dolly easier.

Caution: **Always use two hands when moving the Drywall Dolly. This provides support in case one hand slips while moving a load.**

Parts List

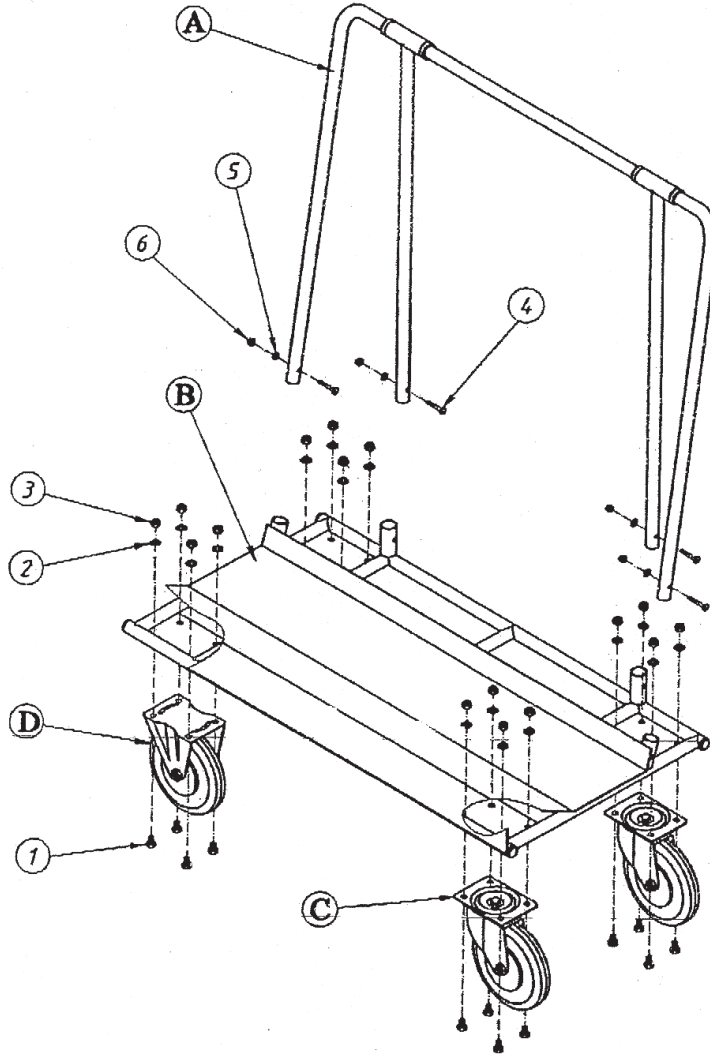
Part #	Description	Quantity	Part #	Description	Quantity
A	Handle	1	1	M10 X 20 Bolt	16
B	Caster Base	1	2	10 Washer	16
C	8" Swivel Caster	2	3	M10 Locknut	16
D	8" Rigid Caster	2	4	M8 X 45 Bolt	4
			5	#8 Washer	4
			6	M8 Locknut	4

Note: Some parts are listed and shown on Page 5 for illustration purposes only and are not available individually as replacement parts.

PLEASE READ THE FOLLOWING CAREFULLY

THE MANUFACTURER AND/OR DISTRIBUTOR HAS PROVIDED THE PARTS DIAGRAM IN THIS MANUAL AS A REFERENCE TOOL ONLY. NEITHER THE MANUFACTURER NOR DISTRIBUTOR MAKES ANY REPRESENTATION OR WARRANTY OF ANY KIND TO THE BUYER THAT HE OR SHE IS QUALIFIED TO MAKE ANY REPAIRS TO THE PRODUCT OR THAT HE OR SHE IS QUALIFIED TO REPLACE ANY PARTS OF THE PRODUCT. IN FACT, THE MANUFACTURER AND/OR DISTRIBUTOR EXPRESSLY STATES THAT ALL REPAIRS AND PARTS REPLACEMENTS SHOULD BE UNDERTAKEN BY CERTIFIED AND LICENSED TECHNICIANS AND NOT BY THE BUYER. THE BUYER ASSUMES ALL RISK AND LIABILITY ARISING OUT OF HIS OR HER REPAIRS TO THE ORIGINAL PRODUCT OR REPLACEMENT PARTS THERETO, OR ARISING OUT OF HIS OR HER INSTALLATION OF REPLACEMENT PARTS THERETO.

Assembly Diagram and Warranty



HAUL-MASTER



**LIMITED 90 DAY
WARRANTY**

Harbor Freight Tools Co. makes every effort to assure that its products meet high quality and durability standards, and warrants to the original purchaser that this product is free from defects in materials and workmanship for the period of ninety days from the date of purchase. This warranty does not apply to damage due directly or indirectly, to misuse, abuse, negligence or accidents, repairs or alterations outside our facilities, or to lack of maintenance. We shall in no event be liable for death, injuries to persons or property, or for incidental, contingent, special or consequential damages arising from the use of our product. Some states do not allow the exclusion or limitation of incidental or consequential damages, so the above limitation of exclusion may not apply to you. **THIS WARRANTY IS EXPRESSLY IN LIEU OF ALL OTHER WARRANTIES, EXPRESS OR IMPLIED, INCLUDING THE WARRANTIES OF MERCHANTABILITY AND FITNESS.**

To take advantage of this warranty, the product or part must be returned to us with transportation charges prepaid. Proof of purchase date and an explanation of the complaint must accompany the merchandise. If our inspection verifies the defect, we will either repair or replace the product at our election or we may elect to refund the purchase price if we cannot readily and quickly provide you with a replacement. We will return repaired products at our expense, but if we determine there is no defect, or that the defect resulted from causes not within the scope of our warranty, then you must bear the cost of returning the product.

This warranty gives you specific legal rights and you may also have other rights which vary from state to state.

3491 Mission Oaks Blvd. • PO Box 6009 • Camarillo, CA 93011 • (800) 444-3353